

# Fostex®

## LOW LEAKAGE FLUX TYPE FULL RANGE SPEAKER UNIT

# FE127E

### Features

- 'ES cone' paper made of banaba plant's fiber
- Newly designed center cap
- Repulsion type magnet shielded circuit
- Ferrite magnet

### Specifications

&

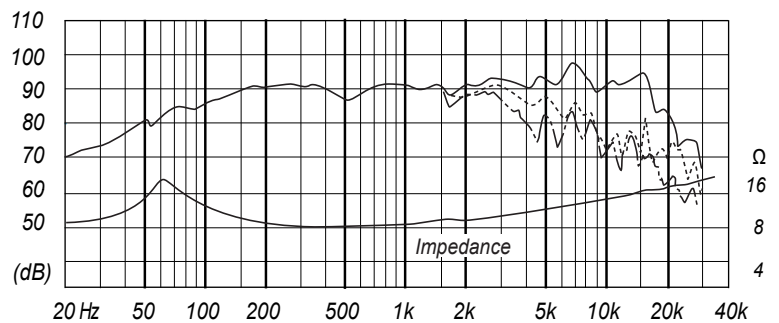
### Thiele/Small Parameters

Size	:	120 mm / 4.7 in
Voice Coil Diameter	:	20 mm / 0.8 in
Cast / Stamped	:	Stamped
Impedance	:	8 Ω
Reproduction Frequency Response	:	fs - 20 kHz
Sound Pressure Level	:	91 dB/W(m)
Rated Input	:	15 W
Music Power	:	45 W
Magnet Material	:	Ferrite
Magnet Weight	:	
(main)	:	100 g / 0.220 lb
(cancel)	:	59 g / 0.130 lb
Net Weight	:	574 g / 1.265 lb

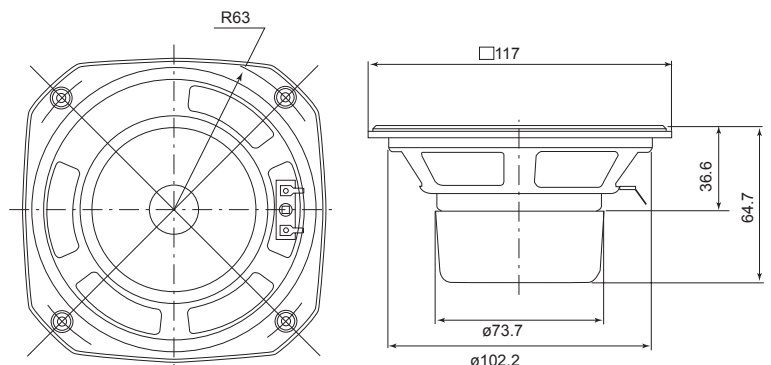
a	:	46 mm
D	:	92 mm
Sd	:	0.0067 m <sup>2</sup>
Zn	:	8 Ω
Fs	:	70.4 Hz
Re	:	6.50 Ω
Le	:	n/a mH
Qms	:	3.33
Qes	:	0.50
Qts	:	0.43
Mms	:	2.98 g
BL	:	4.14 Telsa/m
Vas	:	9.9 L
Xmax	:	0.67 mm
Eff/η0	:	0.35 %
Cms	:	0.0016 mm/N
EBP	:	140.8



### Frequency Response / Impedance



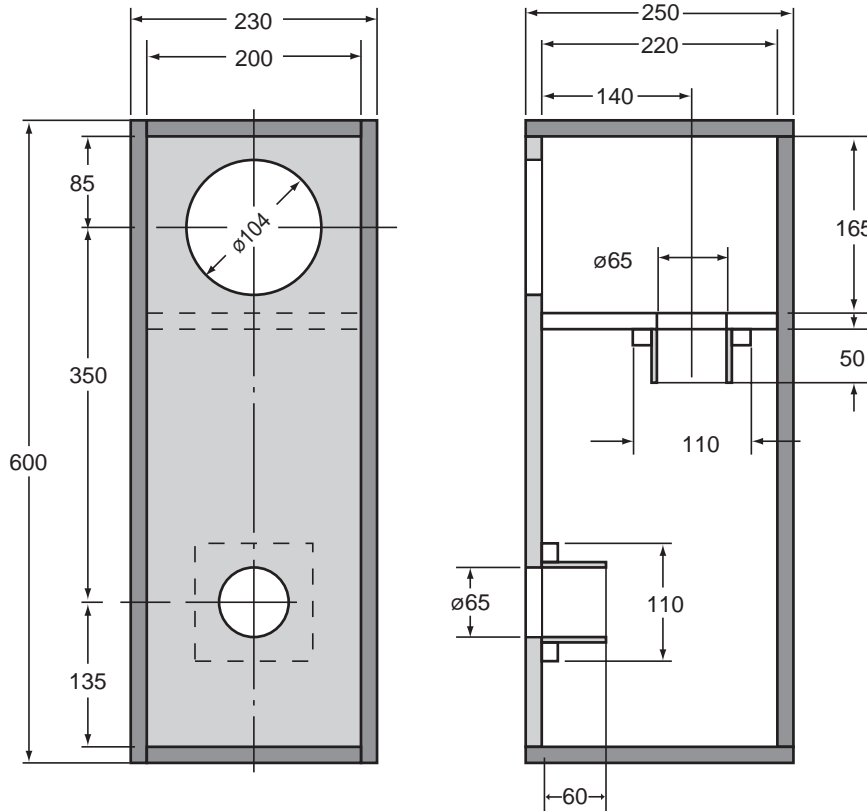
### Dimensions & Mounting Information



Overall Diameter	:	117 mm / 4.6 in
Baffle Hole Diameter	:	102.2 mm / 4.0 in
Depth	:	64.7 mm / 2.5 in

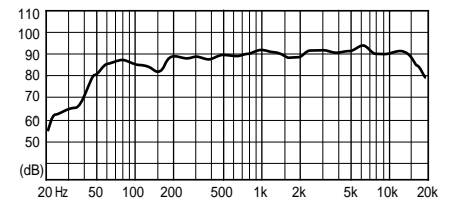
# FE127E

## Recommended Double Bass Reflex Type Enclosure

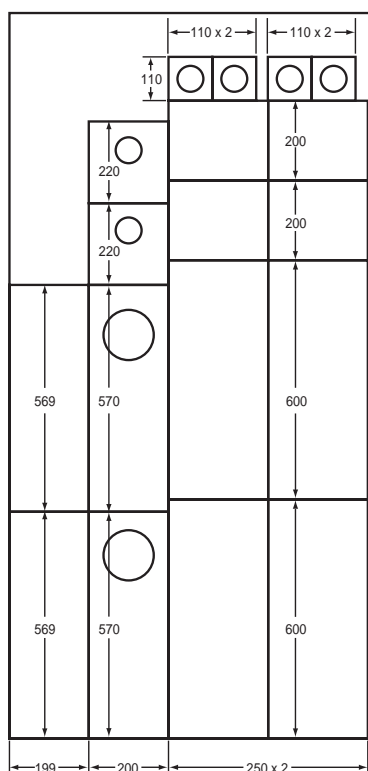


unit:mm / 15mm thick / fb1 = 120Hz (1st), fb2 = 53Hz (2nd)

- Shown is an example of a FE127E double bass reflex type enclosure.
- Multiple bass reflex ports reproduce lower frequency.
- The first port is tuned (Fb) to 120Hz and second port to 53Hz.



- Avoid too low a tuning frequency to maintain good power handling.



## Recommended Standard Bass Reflex Type Enclosure

Example of FE127E standard bass reflex type enclosure. Internal volume is 10 liters tuned to approximately 71Hz (Fb).

