



# FW168N

## Features

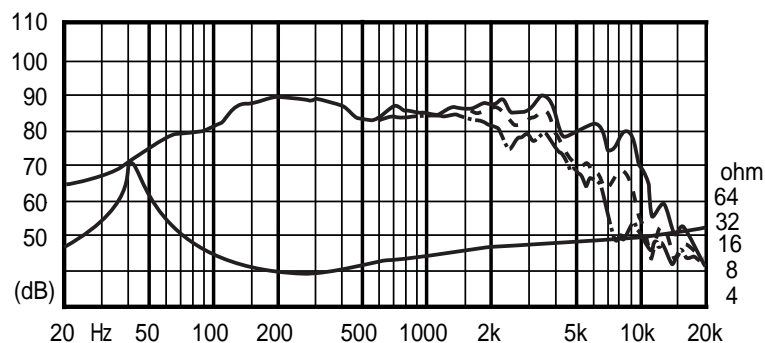
- ◆ 160mm (6.5 in) cone type full range
- ◆ 8 ohm impedance
- ◆ fo to 9kHz frequency response
- ◆ 89dB sensitivity at 1W/1m (3.3ft)
- ◆ 3.875kg (8.543 lb) net weight



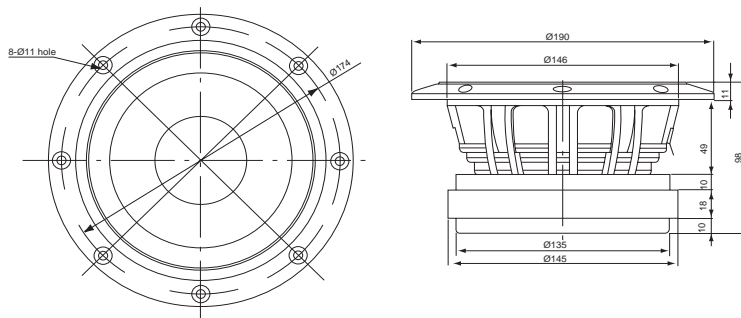
## Specifications & Thiele/Small Parameters

|                                 |                    |
|---------------------------------|--------------------|
| Impedance                       | : 8 ohm            |
| Minimum Frequency Response      | : 40Hz             |
| Reproduction Frequency Response | : fo - 9kHz        |
| S.P.L.                          | : 89dB/W (m)       |
| Rated Input                     | : 34W              |
| Music Power                     | : 100W             |
| Equivalent Diaphragm Radius     | : 65mm (2.56 in)   |
| Equivalent Mass                 | : 28g (0.062 lb)   |
| Magnet Weight                   | : 1090g (2.403 lb) |
| Net Weight                      | : 3.9kg (8.543 lb) |
| Fs                              | : 40Hz             |
| Re                              | : 5.9 ohm          |
| Qts                             | : 0.16             |
| Qms                             | : 15.67            |
| Qes                             | : 0.17             |
| Vas                             | : 14.25 L          |
| Xmax                            | : 0.5mm (0.020 in) |
| no                              | : 0.517%           |

## Frequency Response / Impedance

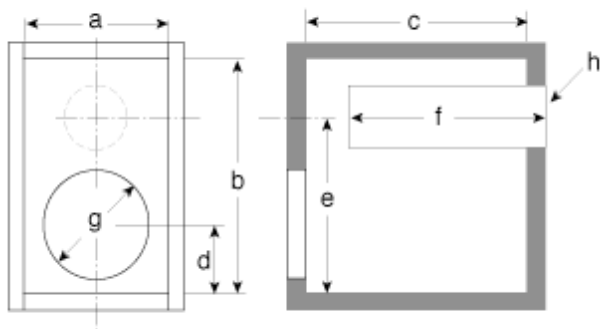


## Dimensions & Mounting Information



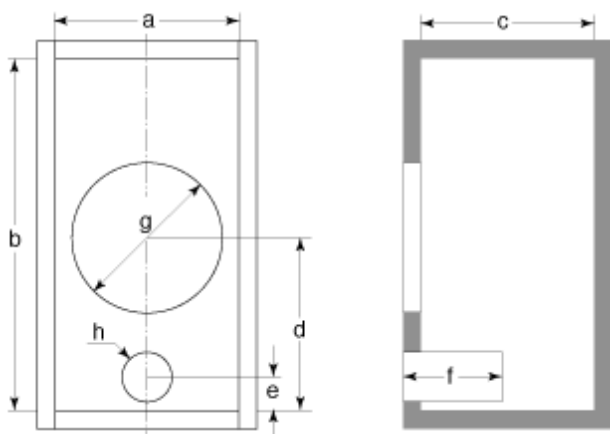
## Recommended Enclosures

### Recommended Bass Reflex Type Enclosure for FW108N woofer



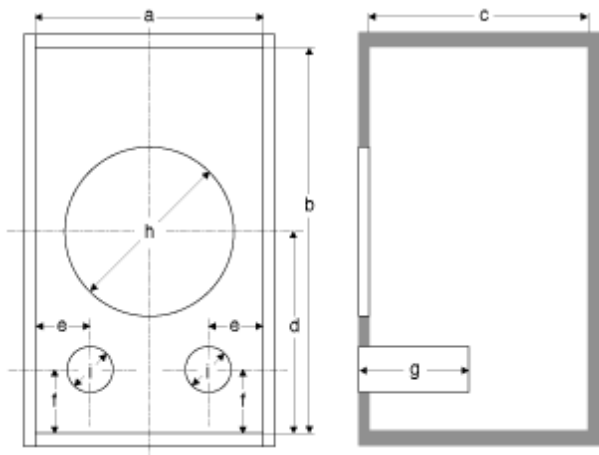
|               | a              | b              | c              | d             | e              | f              | g                | h               | Cubic Capacity | Board Thickness |
|---------------|----------------|----------------|----------------|---------------|----------------|----------------|------------------|-----------------|----------------|-----------------|
| <b>FW108N</b> | 134mm<br>5.27" | 214mm<br>8.42" | 214mm<br>8.42" | 62mm<br>2.44" | 170mm<br>6.69" | 190mm<br>7.48" | Ø105mm<br>Ø4.13" | Ø50mm<br>Ø1.96" | 6 litre        | 12mm<br>0.47"   |

### Recommended Bass Reflex Type Enclosure for FW168N woofer



|               | a              | b               | c              | d              | e             | f              | g                | h               | Cubic Capacity | Board Thickness |
|---------------|----------------|-----------------|----------------|----------------|---------------|----------------|------------------|-----------------|----------------|-----------------|
| <b>FW168N</b> | 184mm<br>7.24" | 354mm<br>13.93" | 174mm<br>6.85" | 174mm<br>6.85" | 34mm<br>1.33" | 100mm<br>3.93" | Ø151mm<br>Ø5.94" | Ø50mm<br>Ø1.96" | 11 litre       | 15mm<br>0.59"   |

### Recommended Bass Reflex Type Enclosure for FW800N woofer



|               | a               | b                | c               | d               | e              | f              | g              | h                 | i                | Cubic Capacity | Board Thickness |
|---------------|-----------------|------------------|-----------------|-----------------|----------------|----------------|----------------|-------------------|------------------|----------------|-----------------|
| <b>FW800N</b> | 940mm<br>37.00" | 1510mm<br>59.44" | 660mm<br>25.98" | 855mm<br>33.66" | 200mm<br>7.87" | 150mm<br>5.90" | 200mm<br>7.87" | Ø750mm<br>Ø29.52" | Ø120mm<br>Ø4.72" | 800 litre      | Ø21mm<br>Ø0.82" |