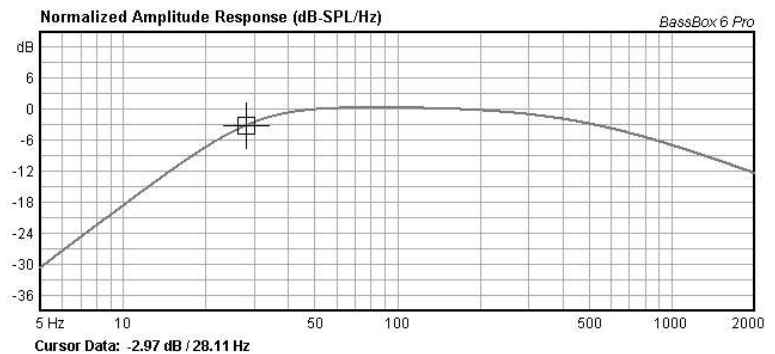
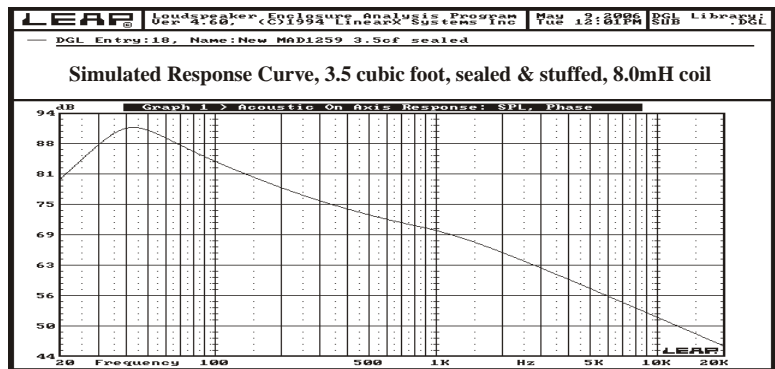
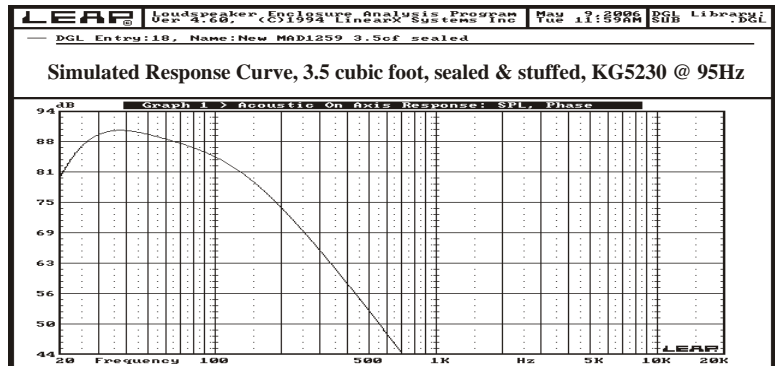
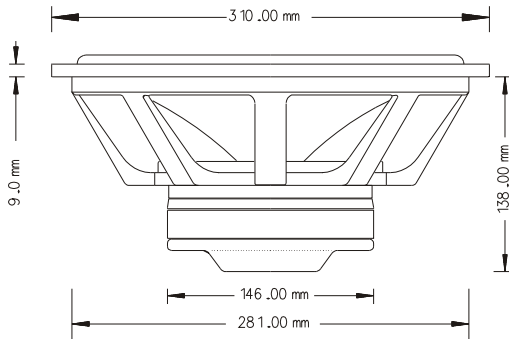




MAD1259

High Performance 12" Woofer (4Ω)

Madisound Speakers is pleased to offer the MAD1259 custom made woofer. The unique characteristics of the MAD1259 allow it to be used in a sealed enclosures, producing deep and accurate bass to 25Hz. The large voice coil and long excursion insure that this woofer will provide superior transient response with exceptional power handling. The bumped backplate and raised spider prevent bottoming at maximum excursions; the heavy cast frame minimizes energy transfer to the enclosure; and the polypropylene cone with rubber surround promise long term durability in any environment. This woofer is an exceptional choice for any high-end home or autosound system and can also handle the most demanding A/V system.



Simulated Response Curve, 3.0 cubic foot, two MAD1259 woofers in series, compound loaded (piggyback), sealed and stuffed. About 85dB

The MAD1259 is the latest version of the famous NHT1259 woofer. The woofer is still made by Foster, but some of the original parts are no longer available. Since the new driver is not similar enough to the old driver, we have changed the name.

Specifications		
Fs	20.13	Hz
Nominal Impedance	4	Ω
Mmd	104.33	Grams
Cms	565.17	m/n
Vas	195.1	Liters
Re	3.524	Ω
Leap Krm	4.033	m Ω
Leap Kxm	11.829	mH
Leap Erm	0.756	
Leap Exm	0.727	
vcL	1.09	mH@1K
Bl	8.472	Tm
Qms	4.413	
Qes	0.663	
Qts	0.576	
Voice Coil Height	34	mm
Air Gap Height	8	mm
Xmax	13.0	mm Peak
SD	0.0493	m ²
Surround	Rubber	
Frame	Cast	
Cone Material	Polypropylene	
Magnet	59 oz.	
Voice Coil	50 mm	
Music Power	300 Watts	
Sensitivity	89 dB	2.83V/1m
Price	\$150.00	