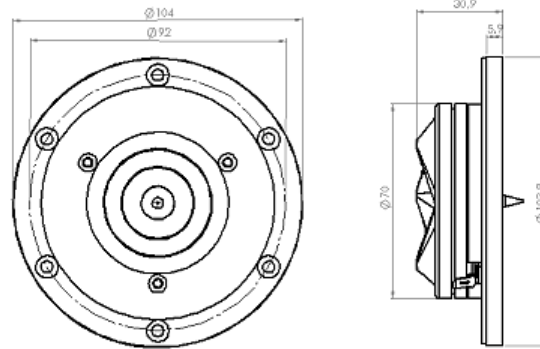
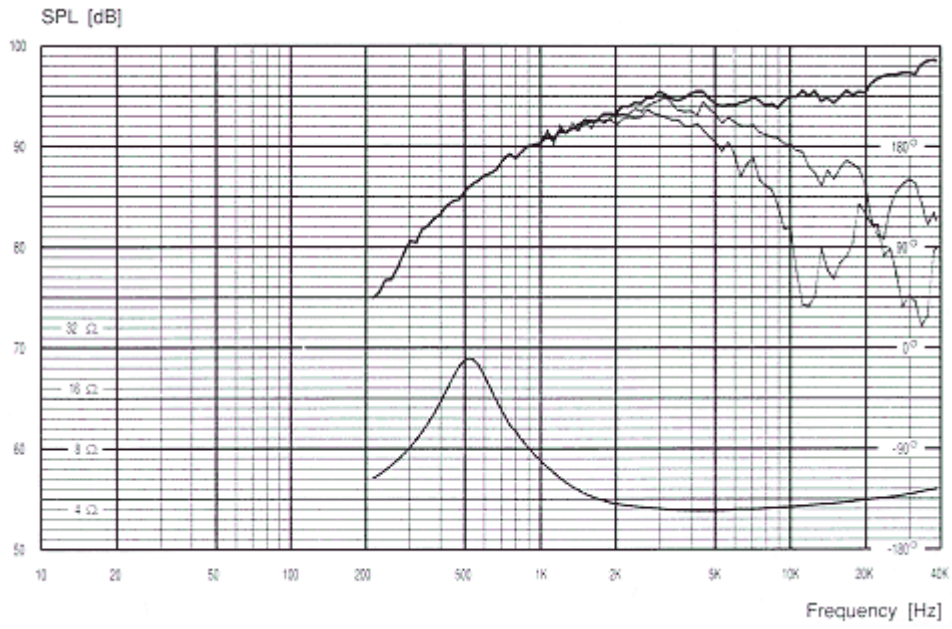




# R2904/700000



<b>Characteristic sensitivity (2.83V / 1m)</b>	<b>: 94.5 dB</b>
<b>Recommended frequency range</b>	<b>: 2 - 40 kHz</b>
<b>Free air resonance frequency, fs</b>	<b>: 520 Hz</b>
<b>DC resistance, Re</b>	<b>: 3.0 ohm</b>
<b>Voice coil inductance, Le</b>	<b>: 0.01 mH</b>
<b>Effective piston area, Sd</b>	<b>: 5.6 cm<sup>2</sup></b>
<b>Moving mass incl. air, md</b>	<b>: 0.30 g</b>
<b>Force factor, BL</b>	<b>: 2.8 Tm</b>
<b>Excursion, lin./max.</b>	<b>: ±0.20 / ±1.6 mm</b>
<b>Voice coil diameter</b>	<b>: 25 mm</b>
<b>Net weight</b>	<b>: 0.42 kg</b>



**Frequency response: 2.83V / 1m**